


Features & Benefits

- High quality, time-saving innovative product
- Column Wraps, Base and Capitals designed for ease of installation using typical tools, fasteners and adhesives.
- Three design types on capitals and bases are compatible for a wide range of home designs.
- Royal® Protective Film keeps the product clean during installation.
- Limited 25 year warranty

 **ROYAL**[®]
Column Wraps



Craftsman Series

**Transform with
every detail.**

 **ROYAL**[®] Building Products
A Westlake Company

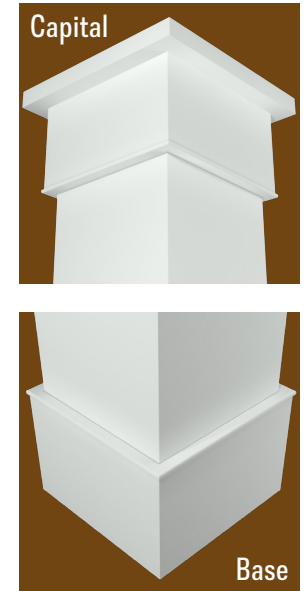
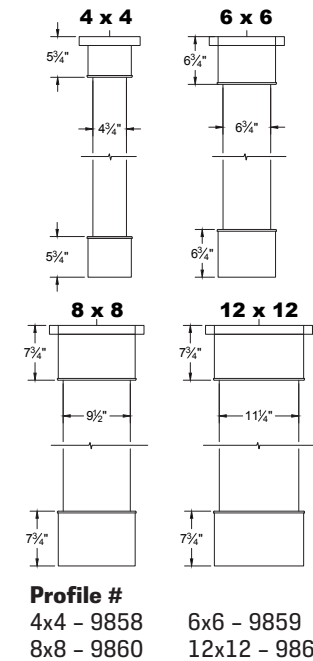
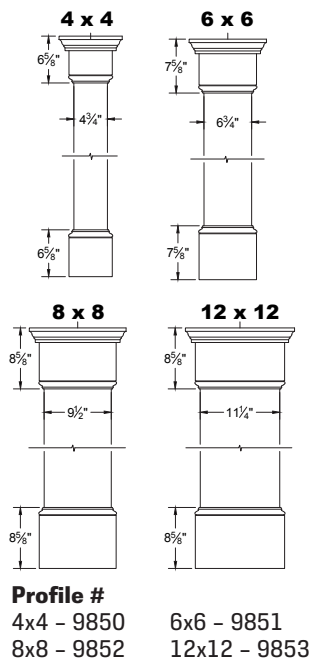
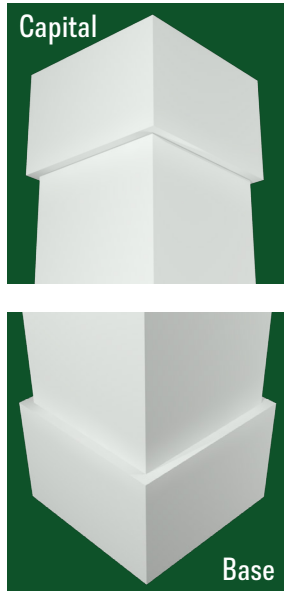
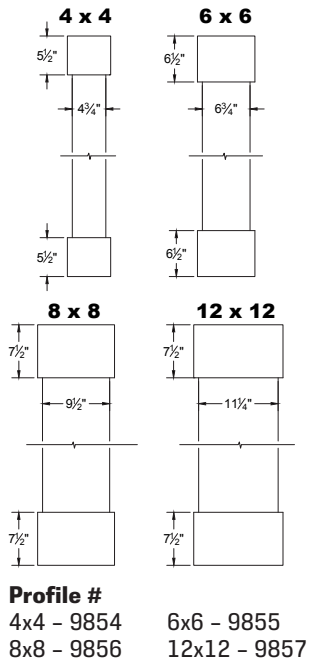
royalbuildingproducts.com

07/2018

Contractor Series

Traditional Series

Craftsman Series



Capital and Base sets sold separately. Available in all three series for all size column wraps.

PROFILE #	PROFILE DESCRIPTION	ACTUAL INSIDE DIMENSION	ACTUAL OUTSIDE DIMENSION	LENGTH	QTY PER UNIT	EMBOSS
9807	4 x 4 Column Wrap	3 3/4" x 3 3/4"	4 3/4" x 4 3/4"	8'6"	45	Smooth
9807	4 x 4 Column Wrap	3 3/4" x 3 3/4"	4 3/4" x 4 3/4"	10'	45	Smooth
9811	6 x 6 Column Wrap	5 3/4" x 5 3/4"	6 3/4" x 6 3/4"	8'6"	18	Smooth
9811	6 x 6 Column Wrap	5 3/4" x 5 3/4"	6 3/4" x 6 3/4"	10'	18	Smooth
9815	8 x 8 Column Wrap	8 1/2" x 8 1/2"	9 1/2" x 9 1/2"	8'6"	8	Smooth
9815	8 x 8 Column Wrap	8 1/2" x 8 1/2"	9 1/2" x 9 1/2"	10'	8	Smooth
9829	12 x 12 Column Wrap	10 1/4" x 10 1/4"	11 1/4" x 11 1/4"	8'6"	6	Smooth
9829	12 x 12 Column Wrap	10 1/4" x 10 1/4"	11 1/4" x 11 1/4"	10'	6	Smooth

Column Wraps are Non-Load Bearing.

